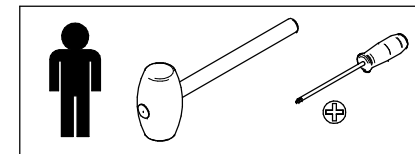
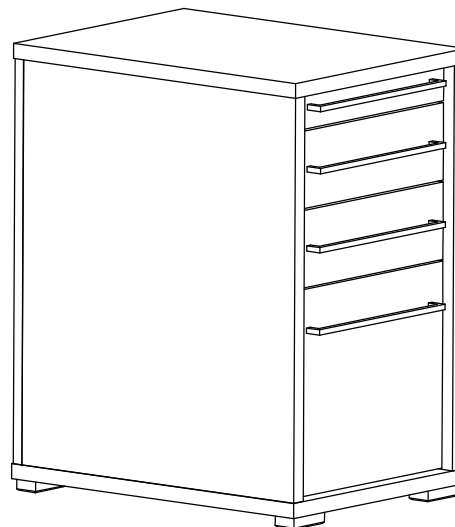
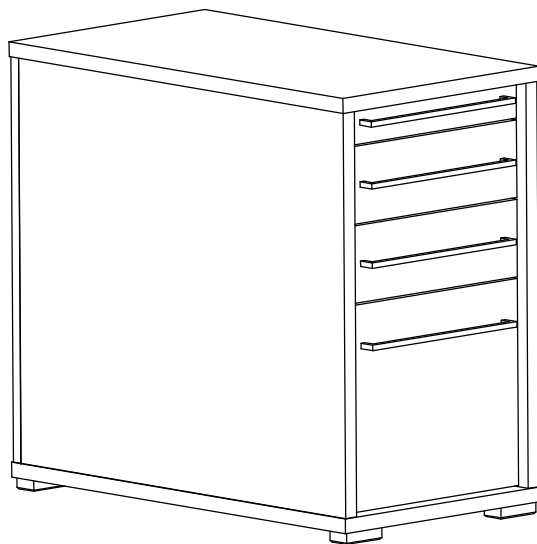


LADENBLOK 3 & 4 - SCROLL  
CAISSON 3 & 4 - SCROLL  
DRAWER UNIT 3 & 4 - SCROLL

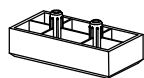
V1

pg. 1/1



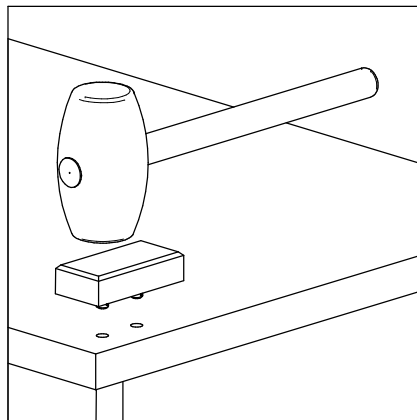
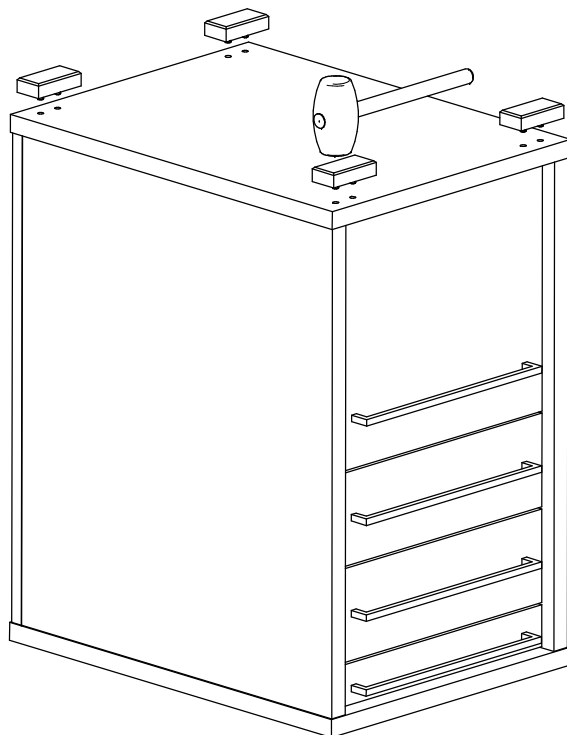
1

A



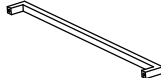
4x

BCON045010



2

B



4x

BTRGELB001

C



8x

BVZN62

